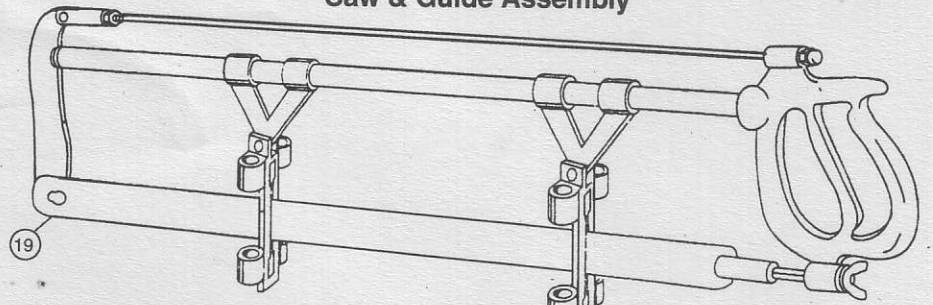
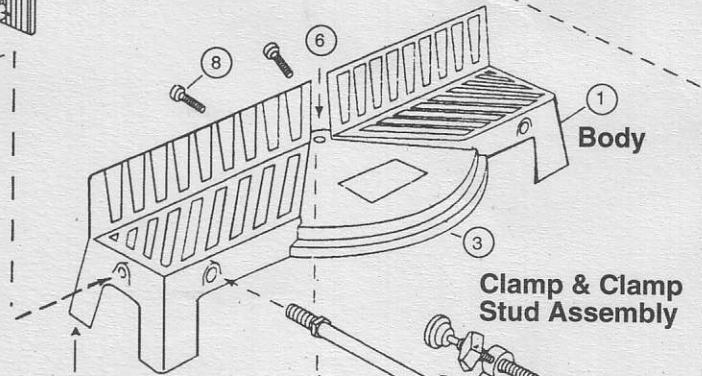
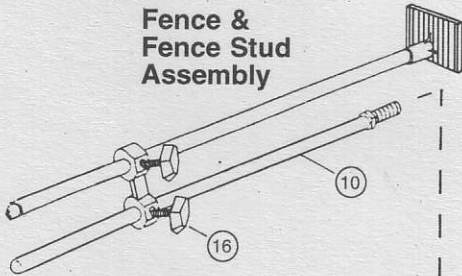


# Assembly

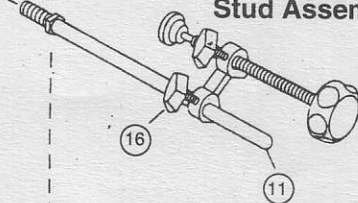
## Saw & Guide Assembly



## Fence & Fence Stud Assembly

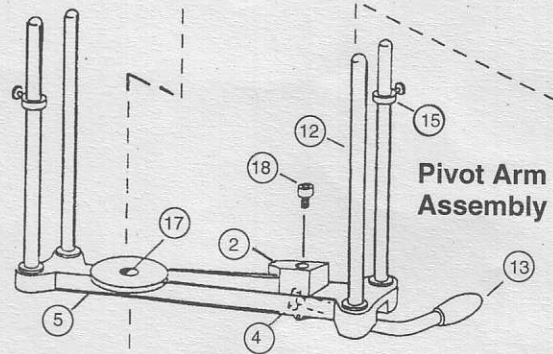


## Clamp & Clamp Stud Assembly



### Key # Descriptions

- | Key # | Descriptions                |
|-------|-----------------------------|
| 1.    | Body                        |
| 2.    | Pointer                     |
| 3.    | Dial Lip                    |
| 4.    | Locking Lever Pin           |
| 5.    | Pivoting Arm/Guide Assembly |
| 6.    | Base Hole                   |
| 7.    | Pivot                       |
| 8.    | 3/16" Pivot Lock Screw      |
| 9.    | Wooden Base                 |
| 10.   | Fence & Fence Stud Assembly |
| 11.   | Clamp & Clamp Stud Assembly |
| 12.   | Guide Posts                 |
| 13.   | Locking Lever               |
| 14.   | Saw Guide                   |
| 15.   | Adjusting Ring              |
| 16.   | Adjusting Knob              |
| 17.   | Pivot Arm Hole              |
| 18.   | Hex Screw                   |
| 19.   | Saw & Guide Assembly        |



## Pivot Arm Assembly

